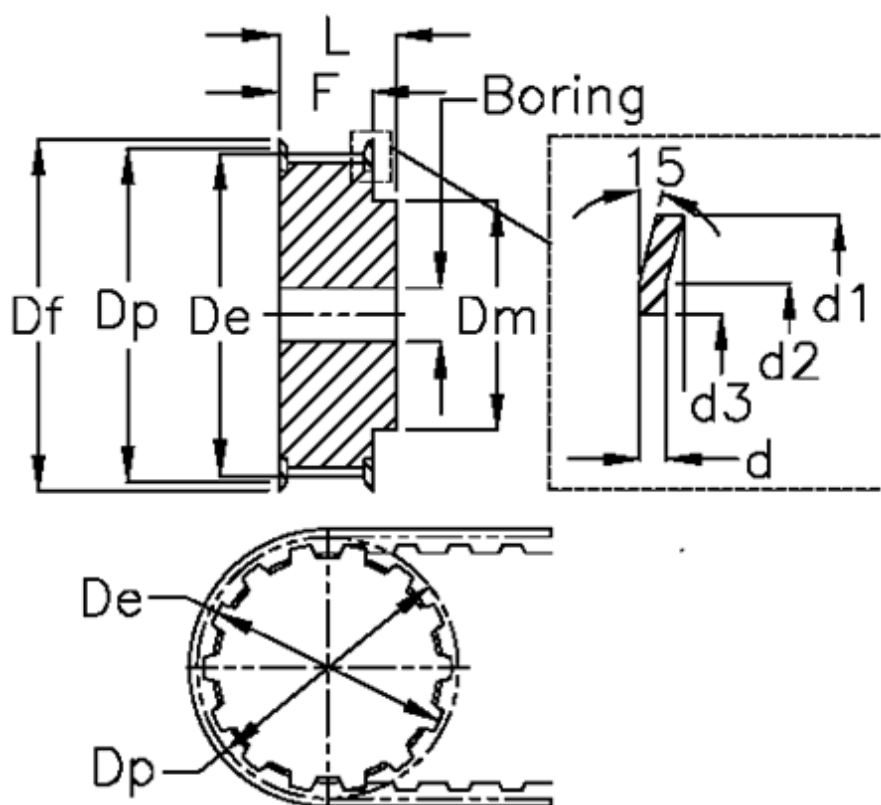


Article number: 604140044015

Description: Timing belt pulley with hub
HTD 44 3M 15

Measures



Bore = 6	Dp = 42.02
d = 0.5	F = 20
d1 = 48	Flange type = F18
d2 = 43.5	L = 30
d3 = 37	Tooth number = 44
De = 41.26	Type = 3M
Df = 48	Weight = 0.095
Dm = 33	Width = 15